

 **MECHPUMP**



MSC series

**SPLIT CASING SOLIDS &
SLURRIES HANDLING PUMP**

MSC RANGE

Split Casing Solids & Slurries Handling Pump

HEAVY DUTY SOLIDS HANDLING PUMP DESIGNED FOR LONG LIFE, ECONOMICAL OPERATION AND EASY MAINTENANCE.

DESIGN FEATURES

- Split casing design with replaceable metal liner. Casing is bolted together, housing the metal liner, with gaskets in between, sealing the pump medium within the liner.
- Closed impeller design with wide water passage for excellent solids handling capacity and high working efficiency.
- Rotary elements are supported by 4 heavy duty life-lubricated deep groove bearings designed to withstand both the radial and axial loads; results in long service life span and trouble free operation.
- Pump shaft is designed with minimal overhang for steadier operation and longer mechanical seal life.
- Wetted pump parts are available in Cast iron, Ni-hard, Stainless steel and CMA to cater for different pump mediums which can be corrosive, abrasive or a combination of both.
- Choice of gland pack or mechanical seal. Different materials in sealing faces are available.

APPLICATION

Solid handling.

Palm oil mill - Slurry with solid content.

Mining - High content of sand stones (often up to 25% by volume)

Minerals - Mineral transfer in the process of separation of different types of mineral.

CAPACITY

- Up to 500 m³/ hour
- Up to 75 m Head
- Operation speed range 600-2900 RPM
- 11 pump sizes
- 4 pedestal sizes
- Solid handling capacity – up to 70mmØ

SPECIFICATION

Flange - slotted holes at suction flanges for easy mounting conformity

Shaft - in stainless steel or high tensile steel

Sleeve - for the protection of shaft (gland packing)

STANDARD FEATURES

- Up to 500 m³/ hour
- Up to 75 m Head
- Operation speed range 600-2900 RPM
- 11 pump sizes
- 4 pedestal sizes
- Solid handling capacity – up to 70mmØ

STANDARD FEATURES

Water box

Mechanical seal

- SiC vs SiC faces, VITON elastomer, SS316 metal parts as standard.
- Carbon vs Ceramic faces, BUNA elastomer, SS304 metal parts on request.

Working temperature

- 80°C Max 120°C

Pump End Sealing

- NBR

Gland Pack

- Burgmann or equivalent

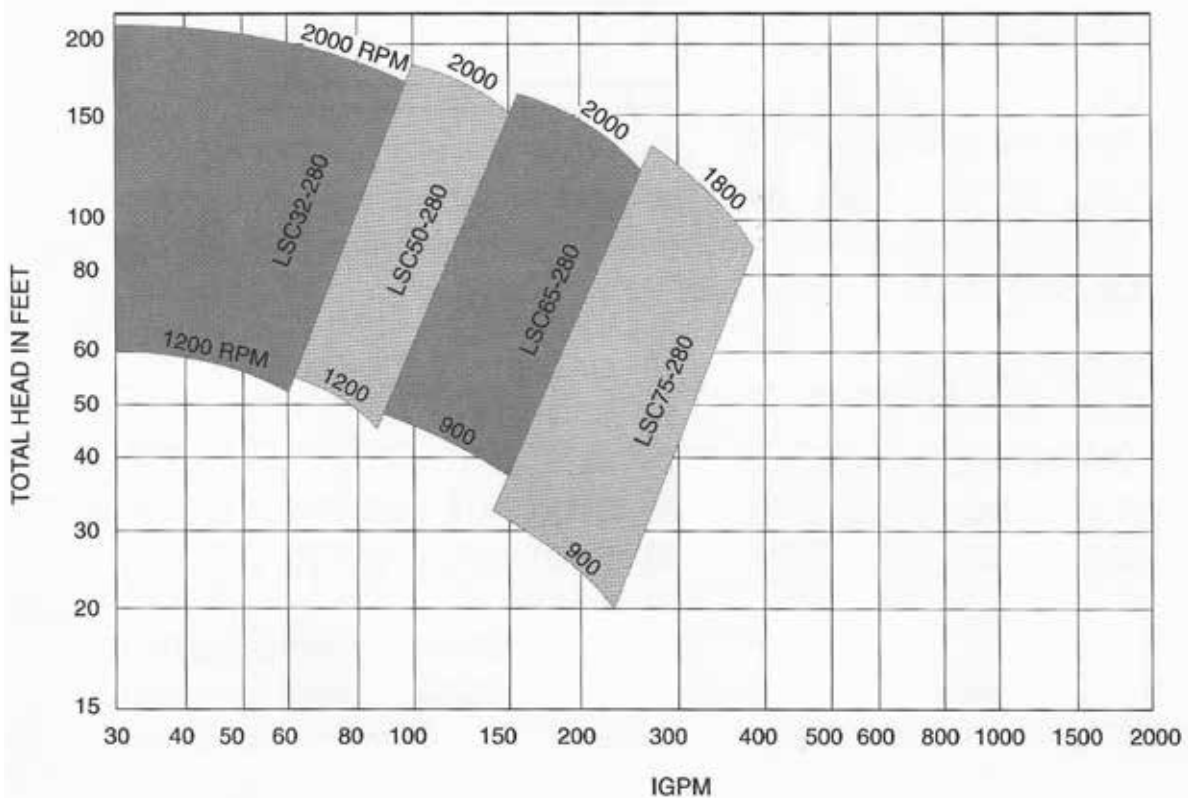
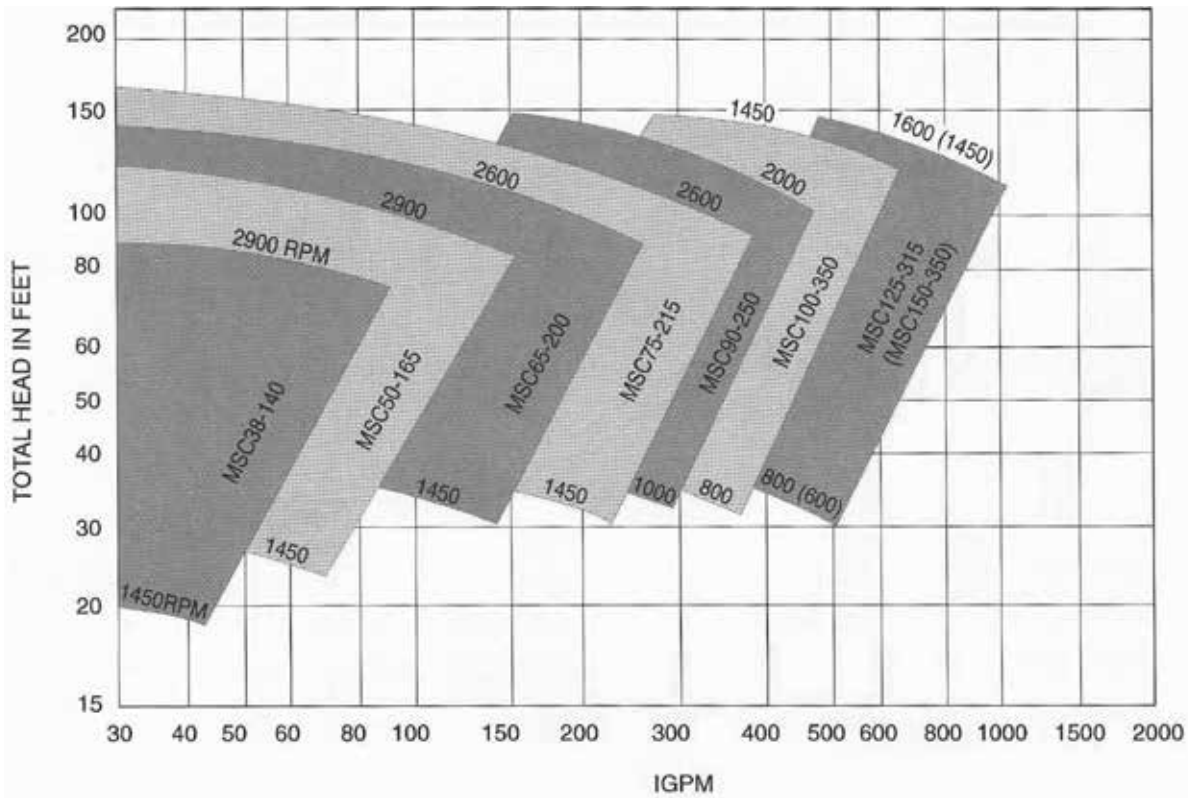
Bearing

- 4 deep groove life lubricated bearings, SKF or equivalent

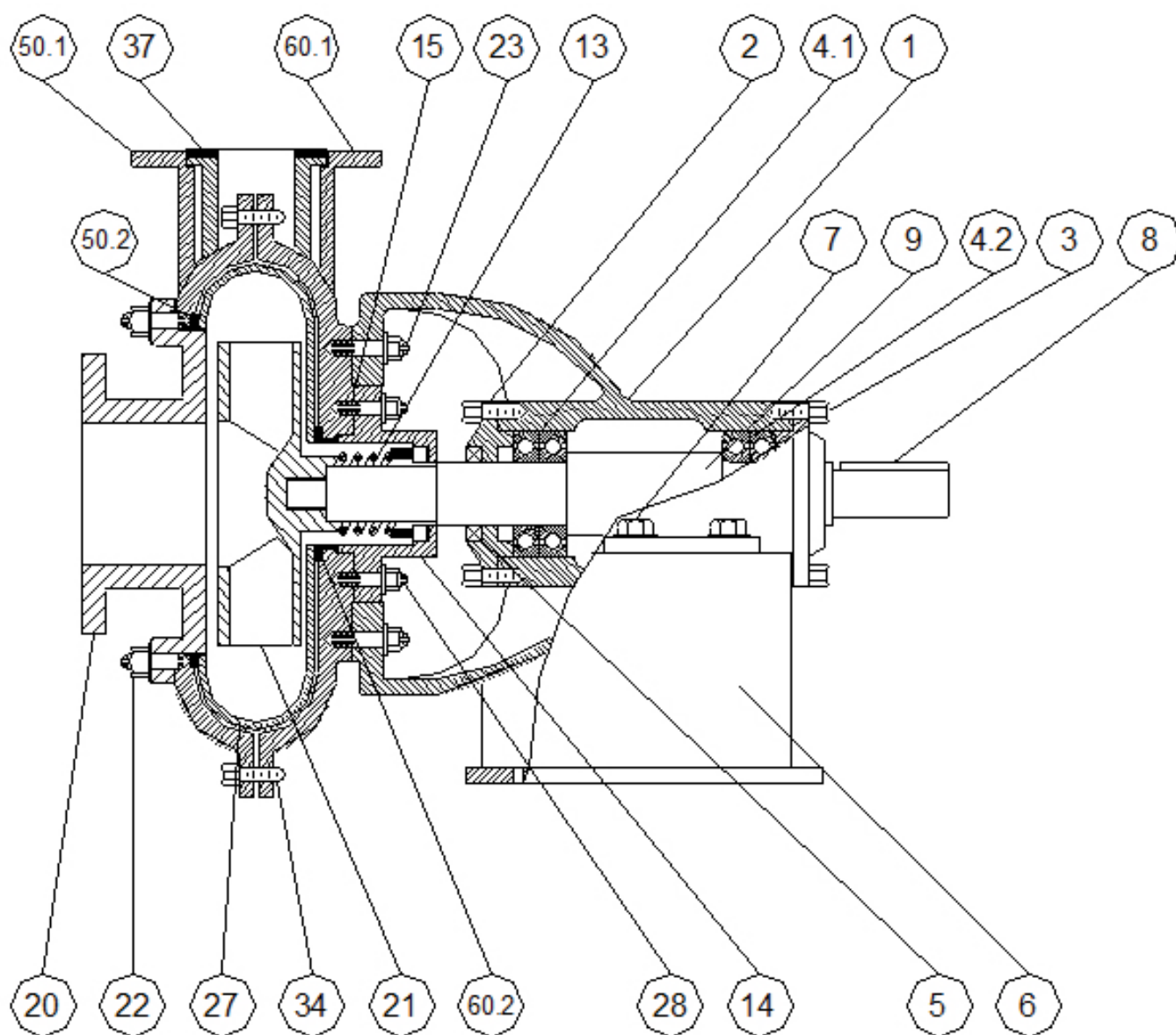
Pump End Material Configuration

- Ni-Hard
- Stainless Steel
- Cast Iron
- CMA

SELECTION CHART



PART LIST

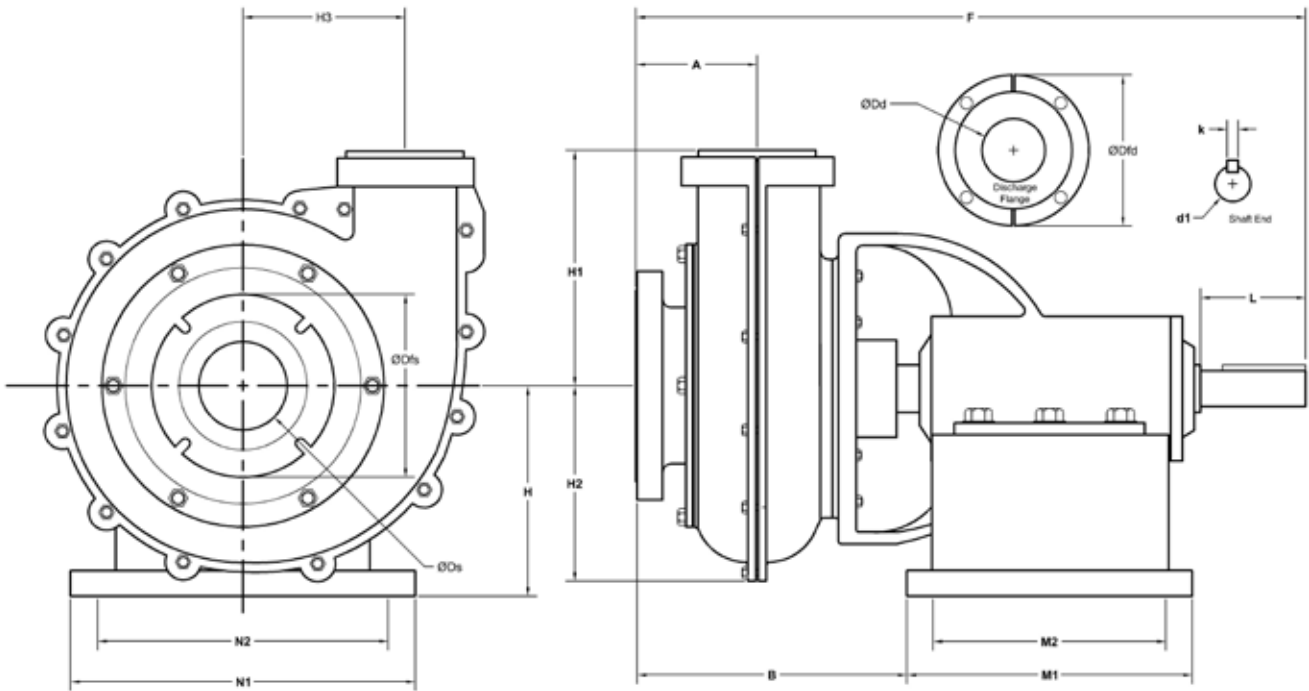


Item	Description
1	Bearing Housing (Mech Seal)
2	Bearing Cover
3	Bolt (Bearing Cover)
4.1	Front Bearings
4.2	Rear Bearings
5	V-Seal
6	Base Frame
7	Bolt, S.Washer (Base Frame)
8	Pulley Key
9	Shaft (Mechanical Seal)
13	Mechanical Seal
14	Seal Housing
15	Gasket (Seal Housing)

Item	Description
20	Suction Door *
21	Impeller *
22	Stud, Nut, Washer (Suction Door)
23	Stud, Nut, Washer (Casing)
27	Liner *
28	Stud, Nut (Seal Housing)
34	Bolt (Casing)
37	Gasket (Discharge)
50.1	Front Liner Casing
50.2	Front U-Seal
60.1	Rear Liner Casing
60.2	Rear U-Seal

NOTE : ITEM WITH * AVAILABLE IN Cast Iron, CMA, SS304 AND Ni Hard. PLEASE SPECIFY MATERIAL CHOICE ON ORDERS.

GENERAL DIMENSION



MODEL	FLANGES							
	SUCTION				DISCHARGE			
	$\varnothing D_s$	$\varnothing D_{fs}$	PCD	#Holes	$\varnothing D_d$	$\varnothing D_{fd}$	PCD	Thread
MSC 38-140	50	160	127	4	38	160	121	5/8"
MSC 50-165	65	160	127	4	50	160	121	5/8"
MSC 65-200	75	177	146	4	65	170	140	5/8"
MSC 75-215	90	200	165	4	75	190	146	5/8"
MSC 90-250	100	220	178	4	90	210	171	5/8"
MSC 100-280	125	250	210	4	100	220	178	5/8"
MSC 125-315	125	250	210	4	125	257	210	5/8"
MSC 100-350	150	274	235	4	100	284	235	5/8"
MSC 150-350	150	274	235	4	150	284	235	5/8"
LSC 32-280	65	150	98	4	32	140	102	5/8"
LSC 50-280	65	150	114	4	50	155	121	5/8"
LSC 65-280	75	165	127	4	65	170	127	5/8"
LSC 75-280	90	200	146	4	75	218	171	5/8"

Note: All dimensions in mm unless otherwise specified.

MODEL	PUMP													
	DIMENSION						FOUNDATION				SHAFT			
	A	F	H	H1	H2	H3	B	M1	M2	N1	N2	d1	L	k
MSC 38-140	133	566	190	180	173	105	248	257	163	350	254	28	65	8
MSC 50-165	133	566	190	180	173	105	248	257	163	350	254	28	65	8
MSC 65-200	137	702	240	203	200	113	212	380	300	335	285	35	82	10
MSC 75-215	145	715	240	230	215	126	228	380	300	335	285	35	82	10
MSC 90-250	154	735	240	250	240	147	246	380	300	335	285	35	82	10
MSC 100-280	162	842	273	278	220	160	270	410	334	350	285	42	90	12
MSC 125-315	172	793	273	300	275	175	285	410	334	350	285	42	90	12
MSC 100-350	175	802	273	326	300	190	290	410	334	350	285	42	90	12
MSC 150-350	175	802	273	326	300	190	290	410	334	350	285	42	90	12
LSC 32-280	120	540	190	208	216	148	226	257	163	350	285	28	65	8
LSC 50-280	126	552	190	213	220	150	239	257	163	350	285	28	65	8
LSC 65-280	123	680	240	215	220	160	189	380	300	335	254	35	82	10
LSC 75-280	157	720	240	245	240	162	230	380	300	335	254	35	82	10

Note: All dimensions in mm unless otherwise specified.



 **MECHPUMP**
<http://www.mechpump.com>