



OBSP

OBSP series

SELF PRIMING END SUCTION PUMP

OBSP RANGE

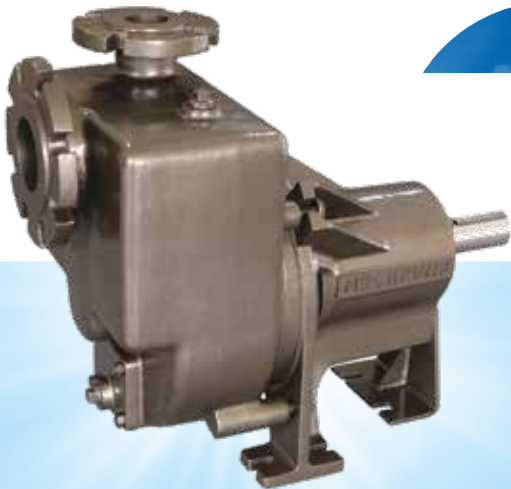
PRODUCT FEATURES

OBSP Self Priming are built to suit your needs, to pump CLEAN or DIRTY WATER, SALINE WATER, as well as Diesel & Light Oils.

Choice of Materials is available in Cast Iron, Stainless steel, Bronze. Seal faces & elastomers can be selected on Mechanical Seal, which are available in Carbon vs Ceramic or Silicon vs Silicon faces, and they are all in Metric sizes.

Self Priming Pump has large bearings, shaft and large mechanical seal to suit different kinds of industrial applications. The carefully designed of the bearing housing and shaft, coupled with heavy duty bearing make the pump run more stable and minimize the deflection on the shaft, this will prolong mechanical seal life span. Bearings are life lubricated and heavy duty enough for direct couple or vee belt pulley driven.

The thick section pump end components are designed for abrasion and corrosion resistance. Suction and Discharge Flange are in ISO dimensions. Self Priming is designed with an Open Impeller to handle sludge, solids and stringy material.



APPLICATION

Mild corrosive dirty water, light slurry.
Advantageous to use in condition when the suction pipe is empty, as self-primer is able to draw water up the suction line.

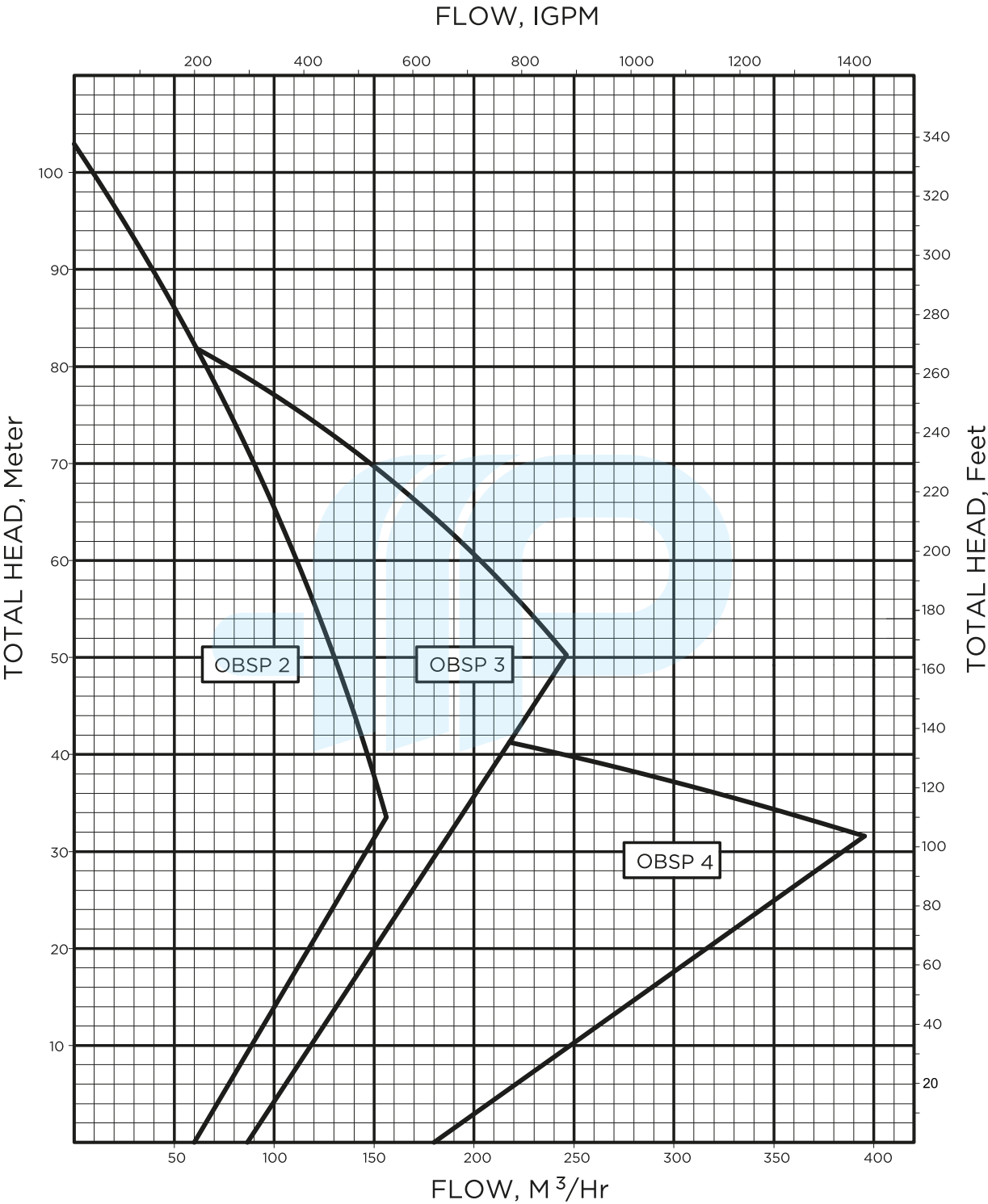
DESIGN

- Heavy duty design for industrial application semi open impeller.
- Features a large cleaning cover for easy removal of clogged materials.
- Back pull out with spacer coupling.

STANDARD FEATURES

- | | |
|---|---|
| • Flanges | - ISO as standard |
| • Mechanical Seal | - Carbon vs Ceramic faces |
| • Bearing | - Two (2) bearings located for apart Sealed for life lubrication. |
| • Vee pulley belt driven | |
| • Working Temperature about 70 deg'C(Max. 85 deg'c) | |
| • Pump End Sealing | - NBR |

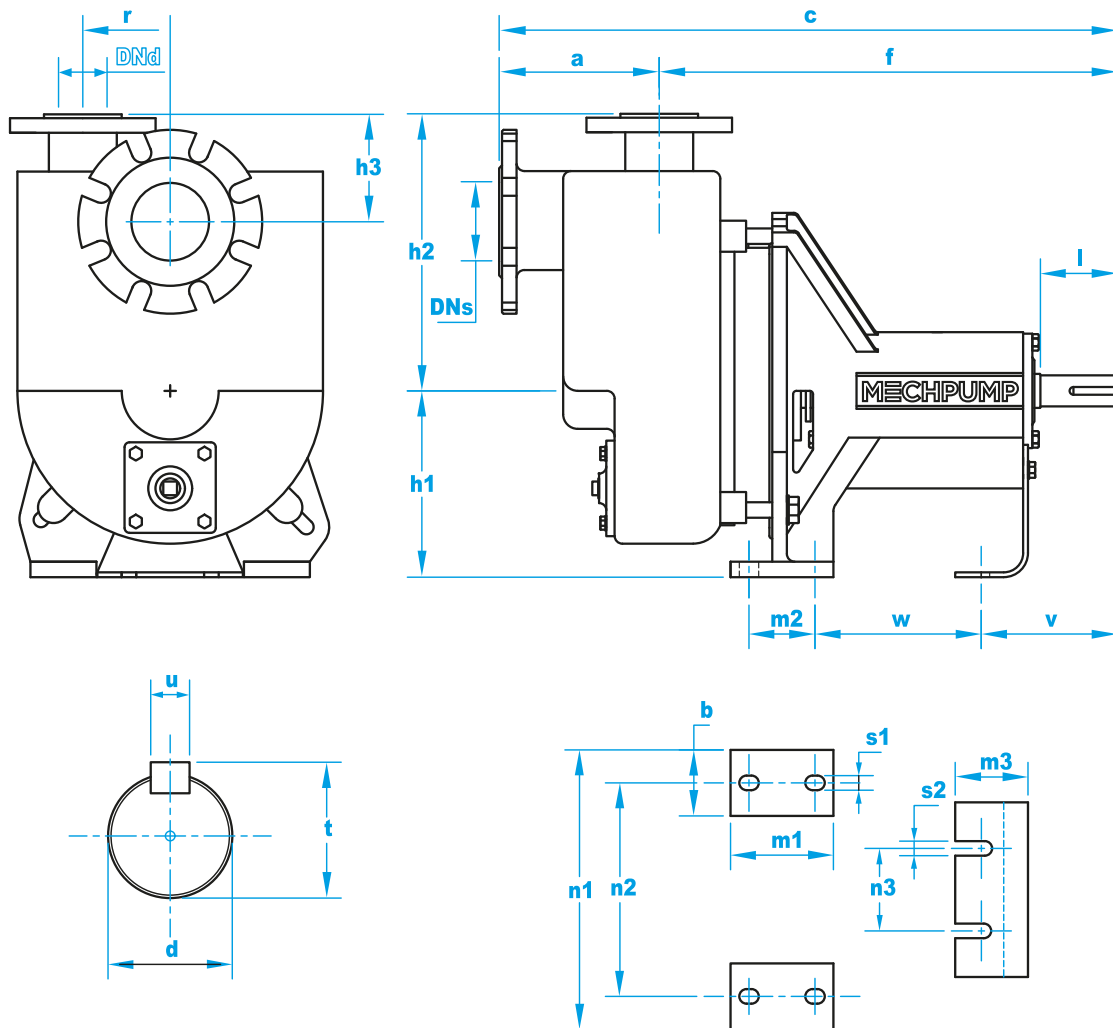
SELECTION CHART



Note:
 Please do pump selection by referring to individual pump curves
 Product specification subject to change without prior notice

GENERAL DIMENSION

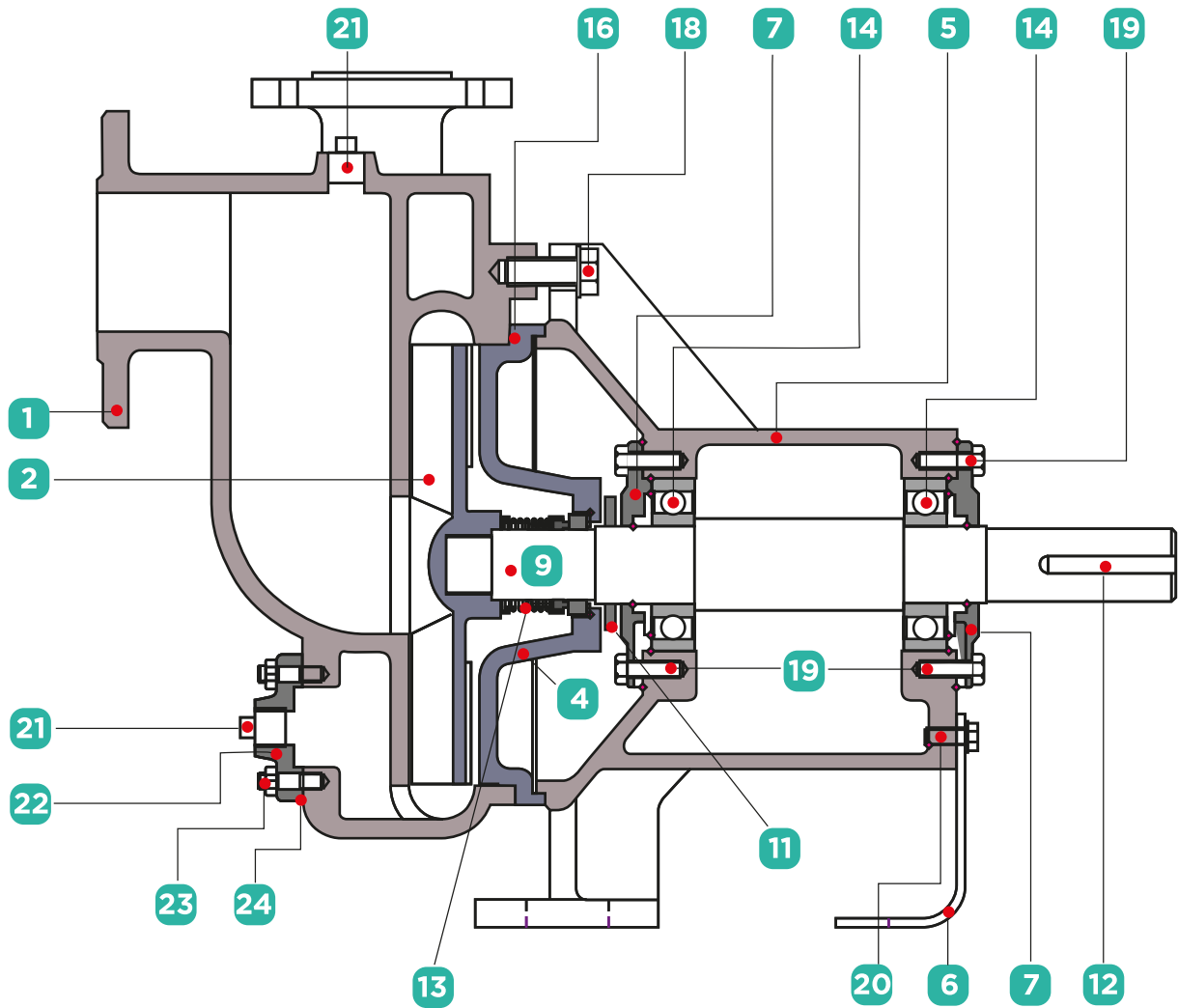
MODEL: OBSP



Pump Model	Dimensions in mm																							
	Flange		Pump Dimension							Foot Mount Dimension										Shaft End				
	DNs	DNc	a	f	c	h1	h2	h3	r	b	m1	m2	m3	n1	n2	n3	s1	s2	v	w	d	l	t	u
OBSP 2	80	50	165	461	626		285	110	90															
OBSP 3	100	80	230	478	708	210	350	115	95	68	106	68	65	288	220	85	15	15	168	151	42	110	45	12
OBSP 4	125	100	240	481	721		375	132	117															

Note: Dimensions may change without prior notice.

PART LIST



ITEM NO.	DESCRIPTION
1	CASING
2	IMPELLER
4	SEAL HOUSING
5	BEARING HOUSING
6	MOUNTING FOOT
7	BEARING COVER
9	SHAFT
11	WATER THROWER
12	KEY
13	MECHANICAL SEAL
14	BEARING
16	O-RING
18	BOLT, NUT AND WASHER SET (CASING)
19	BOLT (BEARING COVER)
20	BOLT, NUT AND WASHER SET (MOUNTING FOOT)
21	PLUG
22	CLEANING COVER
23	STUD AND NUT SET (CLEANING COVER)
24	CLEANING COVER GASKET



www.mechpump.com

