



UIS series

BACK PULL OUT CENTRIFUGAL PUMP

UIS RANGE

PRODUCT FEATURES

The **UIS pump series** apparently be seen as a **single stage pump, End Suction Back Pull-Out** Centrifugal Pump. Complies with pump standard DIN 24255/EN 733.

This standard covers both performance and dimensions.

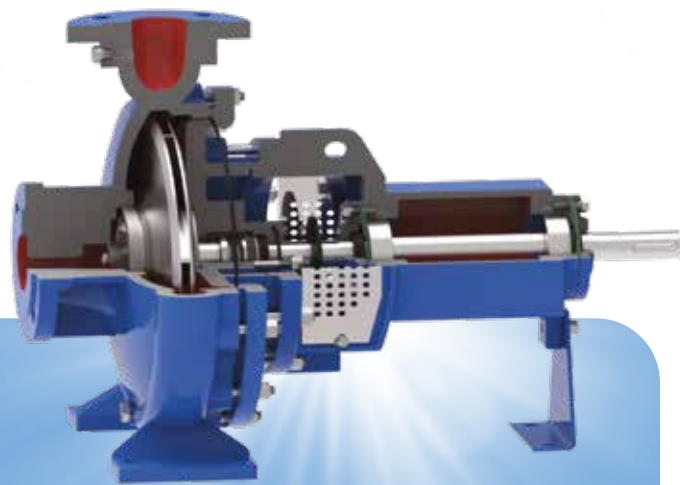
Utilizing high efficiency single entry **closed impeller complete with balancing holes** to reduce the pressure acting on stuffing box. Technically, sealed deep groove ball bearings lubricated for life are used. Periodical greasing is unnecessary, thus, practically the right greasing, over-greasing, or lack of lubrication problem eliminated.

APPLICATION

The UIS pump series widely used for commercial, agriculture, residential and industrial processing.

Commonly used to process clear and low viscous liquid.

- * Transferring
- * Fire fighting
- * Irrigation
- * Cooling towers
- * Water treatment
- * Chemical
- * Circulating
- * Booster
- * Sprinkler



MATERIAL OF CONSTRUCTION

Material is highly depending on liquid characteristic, all pump components in contact with liquid are made of cast iron (CI). Stainless steel 304 (CF-8) and 316 (CF-8M) also available upon request.

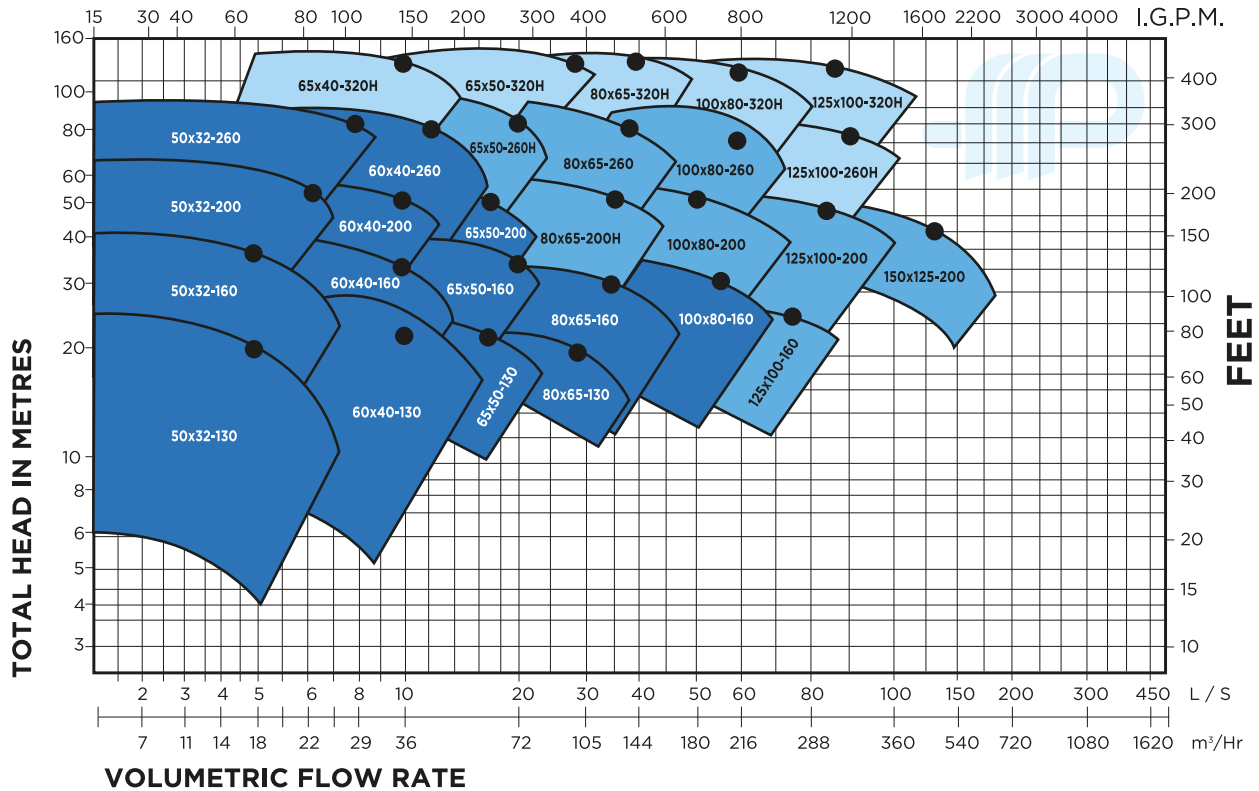
TECHNICAL DATA

PUMP SIZE	DN 32 - DN 300
CAPACITIES	up to 300 l/s
HEADS	up to 150 Meter
SPEED	1450 - 2900 rpm
MOTOR RATING	up to 160 kW
OPERATING TEMPERATURE	up to 105°C (depending on NPSH)

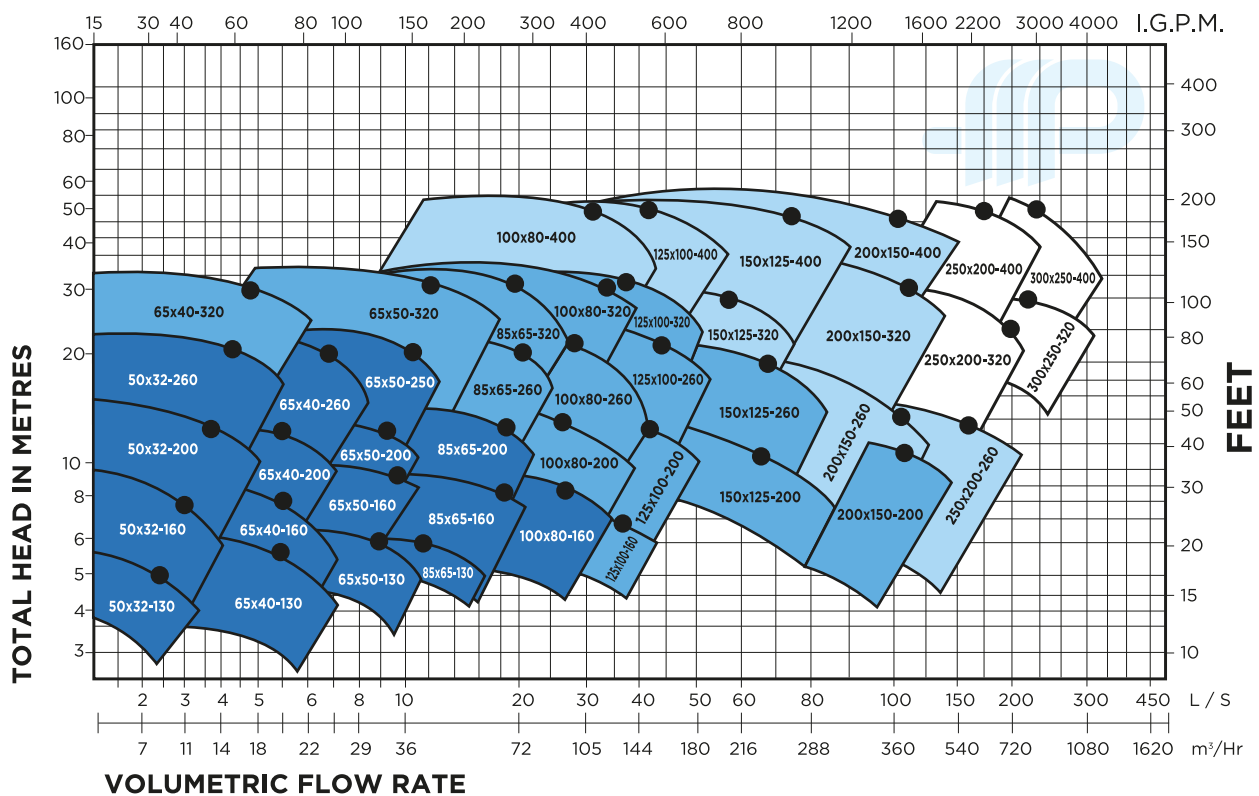
SELECTION CHART

PERFORMANCE CHART (50HZ)

2900rpm

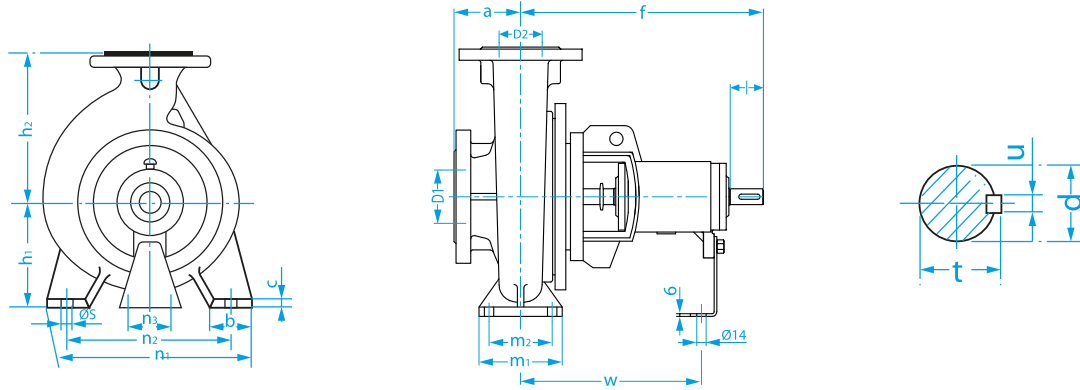


1450rpm



GENERAL DIMENSION

MODEL: UIS



Pump Model	Bearing Housing	D2	D1	a	f	h1	h2	b	c	m1	m2	n1	n2	n3	s	w	d	l	t	u	x	Net Weight
50x32-130	25	32	50	80	360	112	140	50	14	100	70	190	140	100	14	267	24	50	27	8	4	30
50x32-130	25	32	50	80	360	132	160	50	14	100	70	240	190	100	14	267	24	50	27	8	4	35
50x32-200	25	32	50	80	360	160	180	50	14	100	70	240	190	110	14	267	24	50	27	8	4	47
50x32-260	25	32	50	100	360	180	225	65	14	125	95	320	250	110	14	267	24	50	27	8	4	58
65x40-130	25	40	65	80	360	112	140	50	14	100	70	210	160	100	14	267	24	50	27	8	4	31
65x40-160	25	40	65	80	360	132	160	50	14	100	70	240	190	100	14	267	24	50	27	8	4	37
65x40-200	25	40	65	100	360	160	180	50	14	100	70	265	212	110	14	267	24	50	27	8	4	48
65x40-260	25	40	65	100	360	180	225	65	14	125	96	320	250	110	14	267	24	50	27	8	4	61
65x40-320	35	40	65	125	470	200	250	65	14	125	96	345	280	110	14	342	32	80	35	10	4	95
65x40-320H	45	40	65	125	526	200	250	65	14	125	96	345	280	110	14	367	42	110	45	12	4	115
65x50-130	25	50	65	100	360	132	160	50	14	100	70	240	190	100	14	267	24	50	27	8	4	35
65x50-160	25	50	65	100	360	160	180	50	14	100	70	265	212	110	14	267	24	50	27	8	4	39
65x50-200	25	50	65	100	360	160	200	50	14	100	70	265	212	110	14	267	24	50	27	8	4	49
65x50-260	25	50	65	100	360	180	225	65	14	125	95	320	250	110	14	267	24	50	27	8	4	68
65x50-260H	35	50	65	100	470	180	225	65	14	125	95	320	250	110	14	344	32	80	35	10	4	80
65x50-320	35	50	65	125	470	225	280	65	18	125	95	345	280	110	14	342	32	80	35	10	4	100
65x50-320H	45	50	65	125	526	225	280	65	18	125	95	345	280	110	14	367	42	110	45	12	4	120
80x65-130	25	65	80	100	360	160	180	65	14	125	95	280	212	110	14	267	24	80	27	8	4	41
80x65-160	25	65	80	100	360	160	200	65	14	125	95	280	212	110	14	267	24	50	27	8	4	47
80x65-200	25	65	80	105	360	180	225	65	14	125	95	320	250	110	14	267	24	50	27	8	4	55
80x65-200H	35	65	80	105	465	180	225	65	14	125	95	320	250	110	14	339	32	80	35	10	4	70
80x65-260	35	65	80	100	470	200	250	80	15	160	120	360	280	110	18	342	32	80	35	10	4	87
80x65-320	35	65	80	125	470	225	280	80	18	160	120	400	315	110	18	342	32	80	35	10	4	110
80x65-320H	45	65	80	125	526	225	280	80	18	160	120	400	315	110	18	367	42	110	45	12	4	130
100x80-160	25	80	100	125	360	180	225	65	14	125	95	320	250	110	14	267	24	50	27	8	4	53
100x80-200	35	80	100	125	470	180	250	65	15	125	95	345	280	110	14	342	32	80	35	10	4	76
100x80-260	35	80	100	125	470	200	280	80	15	160	120	400	315	110	18	342	32	80	35	10	4	95
100x80-320	35	80	100	125	470	250	315	80	16	160	120	400	315	110	18	342	32	80	35	10	4	115
100x80-320H	45	80	100	125	526	250	315	80	16	160	120	400	315	110	18	367	42	110	45	12	4	140
100x80-400	45	80	100	125	530	280	355	83	18	160	120	440	340	110	18	370	42	110	45	12	4	160
125x100-160	35	100	125	125	470	280	250	80	18	160	120	360	280	110	18	342	32	80	35	10	4	87
125x100-200	35	100	125	125	470	280	280	80	16	160	120	360	280	110	18	342	32	80	35	10	4	84
125x100-260	35	100	125	140	470	285	280	80	16	160	120	400	315	110	18	342	32	80	35	10	4	102
125x100-260H	45	100	125	140	526	225	280	80	16	160	120	400	315	110	18	365	42	110	45	12	4	125
125x100-320	35	100	125	140	470	250	315	80	16	160	120	400	315	110	18	342	32	80	35	10	4	118
125x100-320H	45	100	125	140	526	250	315	80	16	160	120	400	315	110	18	367	42	110	45	12	4	145
125x100-400	45	100	125	140	530	280	355	100	20	200	150	500	400	110	23	370	42	110	45	12	4	176
150x125-200	35	125	150	145	470	250	315	80	16	160	120	400	315	110	18	342	32	80	35	10	4	112
150x125-260	35	125	150	140	470	250	355	80	16	160	120	400	315	110	18	342	32	80	35	10	4	117
150x125-320	45	125	150	140	530	280	355	100	18	200	150	500	400	110	23	370	42	110	45	12	4	155
150x125-400	45	125	150	160	530	315	400	100	18	200	150	500	400	110	23	370	42	110	45	12	4	178
200x150-200	35	150	200	160	497	280	400	100	18	200	150	400	315	110	23	367	32	80	35	10	4	133
200x150-260	45	150	200	160	530	250	355	100	18	200	150	450	350	110	23	370	42	110	45	12	4	163
200x150-320	45	150	200	160	530	250	400	100	18	200	150	550	450	110	23	370	42	110	45	12	4	170
200x150-400	45	150	200	160	530	315	450	100	18	200	150	550	450	110	23	370	42	110	45	12	4	207
250x200-260	45	200	250	180	555	315	450	100	20	200	150	550	450	110	28	392	42	110	45	12	4	220
250x200-320	55	200	250	180	670	315	480	120	20	220	170	600	480	110	28	505	48	110	51	14	4	286
250x200-400	55	200	250	180	670	335	480	120	20	220	170	600	480	110	28	505	48	110	51	14	4	328
300x250-320	55	250	300	220	691	355	520	150	26	250	200	660	510	110	28	525	48	110	51	14	4	366
300x250-400	55	250	300	220	682	400	560	150	26	250	200	660	510	110	28	516	48	110	51	14	4	396

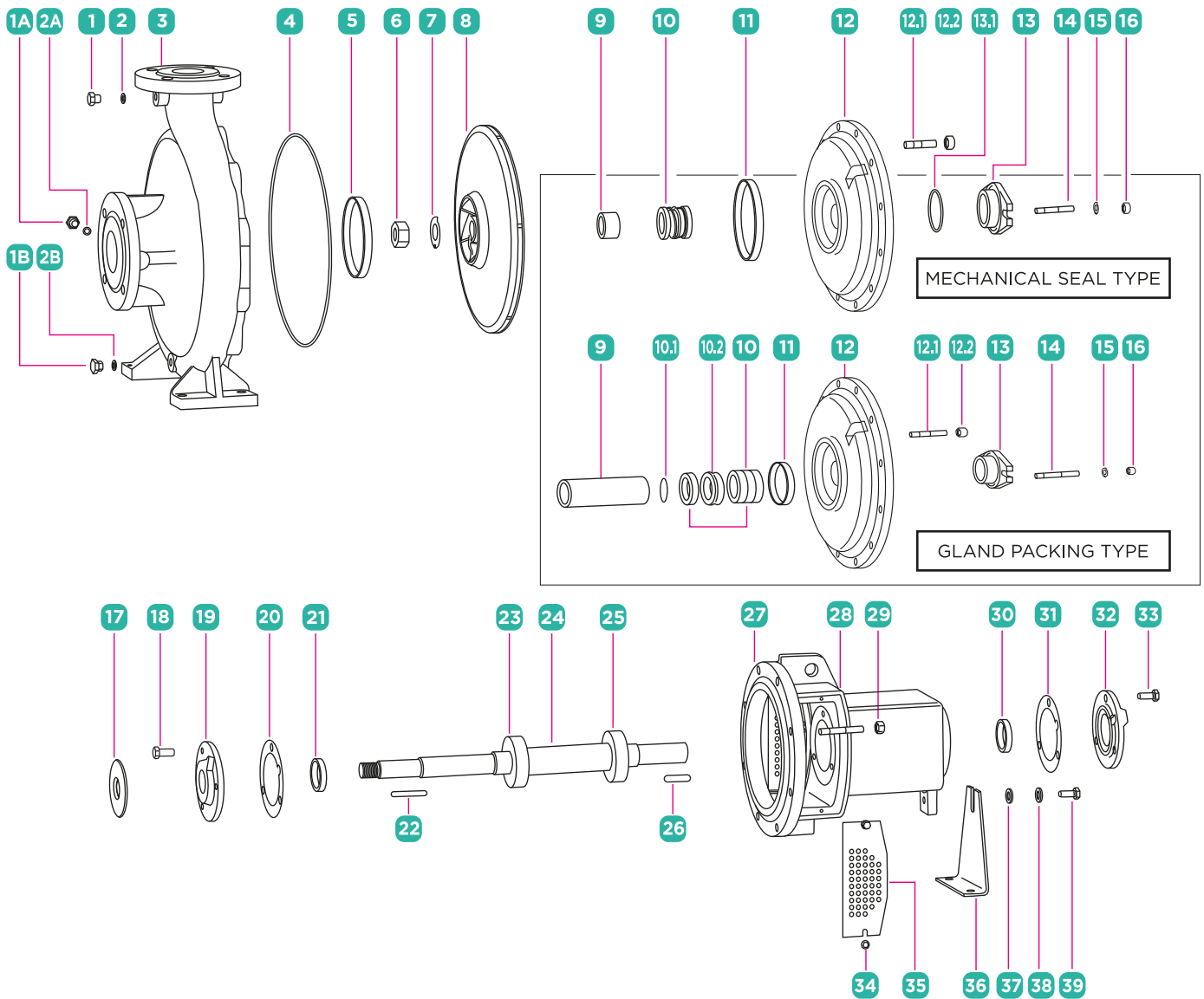
Flange Dimensions and drilling according to ISO2084 16BAR (BS4504-1969 TABLE 16/11)
Holes-Equally spaced straddling pump centreline.

PN16

D1/D2	32	40	50	65	80	100	125	150	200	250	300
ØD	140	150	165	185	200	220	250	285	340	405	460
ØK	100	110	125	145	160	180	210	240	295	350	410
D2 x number	Ø18x4	Ø18x4	Ø18x4	Ø18x4	Ø18x8	Ø18x8	Ø18x8	Ø22x8	Ø22x12	Ø26x12	Ø26x12

Note: Dimensions may change without prior notice.

PART LIST



Mechanical Seal Construction:-

Part No	Part Name	Part No	Part Name	Part No	Part Name
1, 1A, 1B	Screw Plug	13.1	O-Ring (Seal Gland)	26	Coupling Key
2, 2A, 2B	O-Ring	13	Seal Gland	27	Bearing Housing
3	Pump Casing	14	Stud	28	Stud
4	O-Ring	15	Flat Washer	29	Hexagon Nut
5	Casing Wear Ring	16	Hexagon Nut	30	Lip Seal
6	Impeller Nut	17	Thrower	31	Gasket
7	Spring Washer	18	Capscrew	32	Bearing Cover
8	Impeller	19	Bearing Cover	33	Capscrew
9	Shaft Spacer	20	Gasket	34	Capscrew
10	Mechanical Seal	21	Lip Seal	35	Protect Guard
11	Wear Ring (Cover)	22	Impeller Key	36	Support Foot
12	Casing Cover	23	Bearing	37	Flat Washer
12.1	Stud	24	Shaft	38	Spring Washer
12.2	Hexagon Nut	25	Bearing	39	Capscrew

Option: Gland Packing Construction:-

Part No	Part Name	Part No	Part Name	Part No	Part Name
9	Packing Sleeve	10	Packing	12.1	Stud
10.1	O-Ring	11	Wear Ring (Cover)	12.2	Hexagon Nut
10.2	Lantern Ring	12	Casing Cover	13	Packing Gland



www.mechpump.com

