

WESSLER™ WES 300

TURBINE AERATOR




RPS TRADERS SDN BHD (947993-H)

No.15 & 15A, Lorong Raja Nong 18A,
Off Jln Penghulu Abu Bakar,
Taman Bunga Raya.
41000 Klang , Selangor D.E.

603-33701416 

603-33701417 

enquiry@rpstraders.com 

ABOUT WES 300 AERATOR

WES 300 is a simple, durable and high performance aerator which applicable to a wide range of waste water treatment processes.

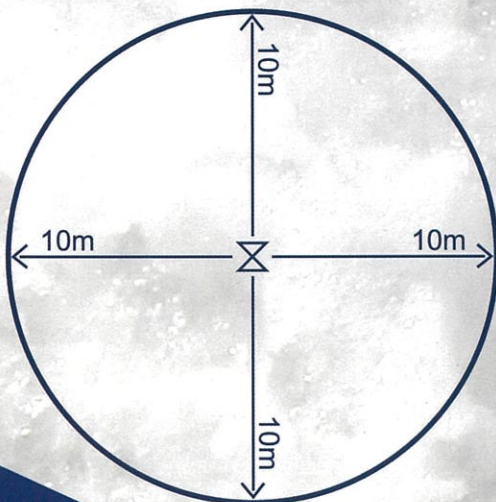
WES 300 uses an energy efficient 1.5kW / 2HP motor to provides high oxygen transfer efficiency of 7.5kg / hour.

WES 300 designed for continuous operation with dynamic parts which made of corrosion / wear resistant material achieves highest performance and long lifespan.

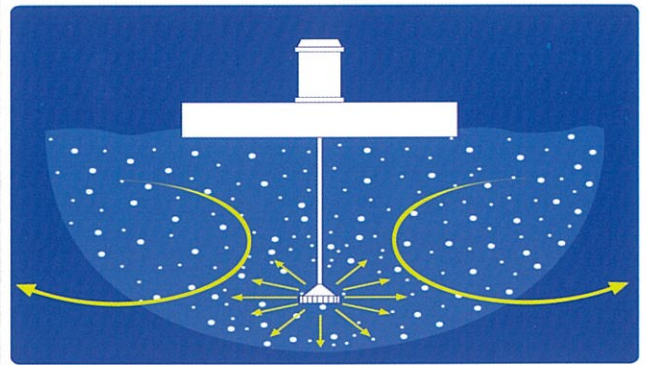
ADVANTAGES

- Made of corrosion-resistant material
- Clog-free
- Low noise level
- Minimal disturbance to water current
- Minimal power consumption
- High oxygen transfer efficiency (7.5 kg / hr)
- Designed with dynamic parts
- Light weight (35 kg)
- Able to operate 24/7

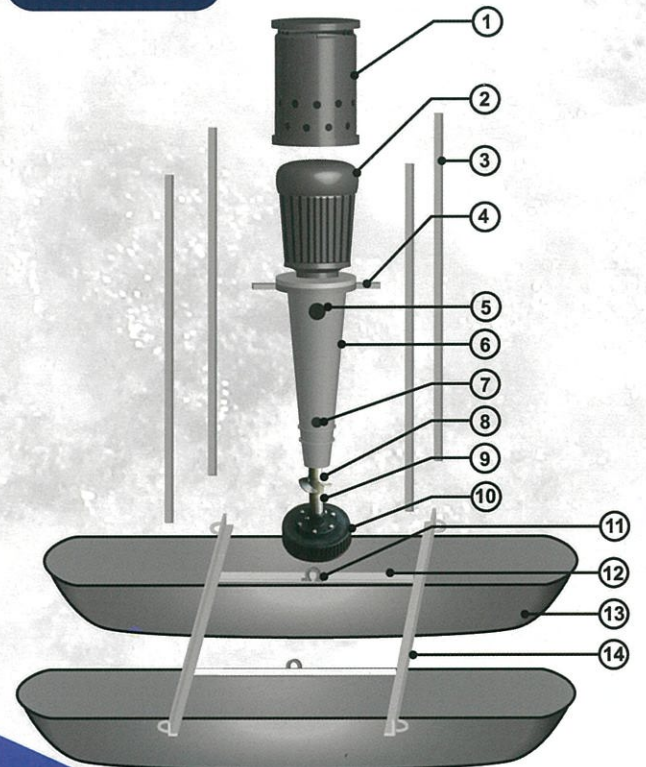
COVERAGE



WORKING PRINCIPAL



PART LIST



- 1 Motor Cover
- 2 Motor
- 3 Setting Bar
- 4 Adjust Anchor
- 5 Air Inlet
- 6 Centralized Driving Pipe
- 7 Water Level Regulation
- 8 SS304 Additional Propeller
- 9 SS304 Shaft
- 10 Hope Impeller
- 11 Adjust Base
- 12 Base SS Bracing
- 13 Floater
- 14 Frame

“ Industries' demand for efficient, durable and affordable aerator is what WES 300 provides. ”