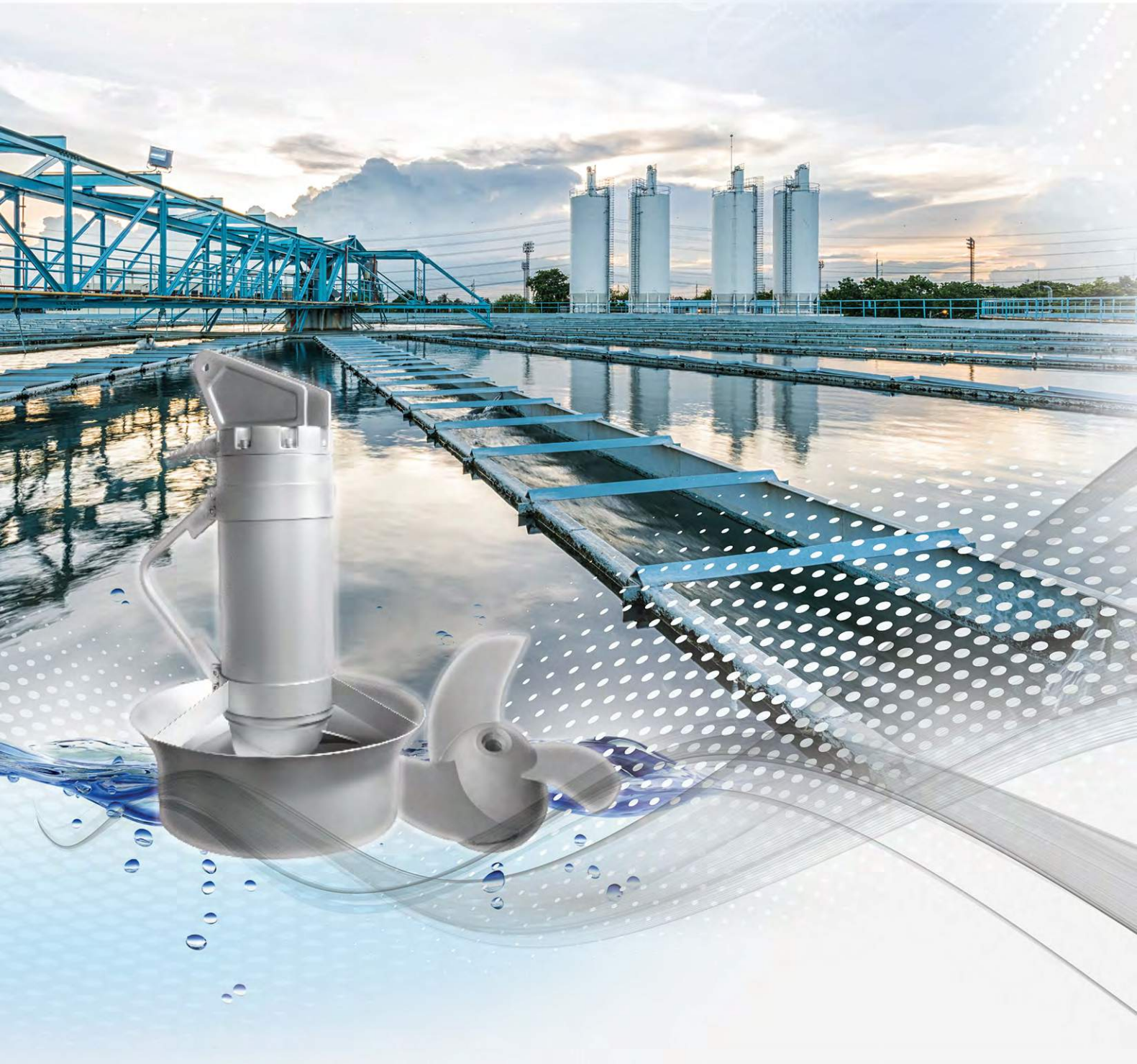


**WESSLER™**

— SUBMERSIBLE MIXER —





## SUBMERSIBLE MIXER

### MAIN APPLICATION

WES Stainless Steel Mixer provide most energy efficient solution to mixing , dissolving , agitating and suspension of solids for industrial sewage treatment process.

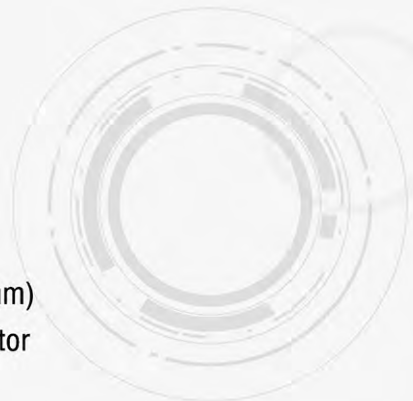
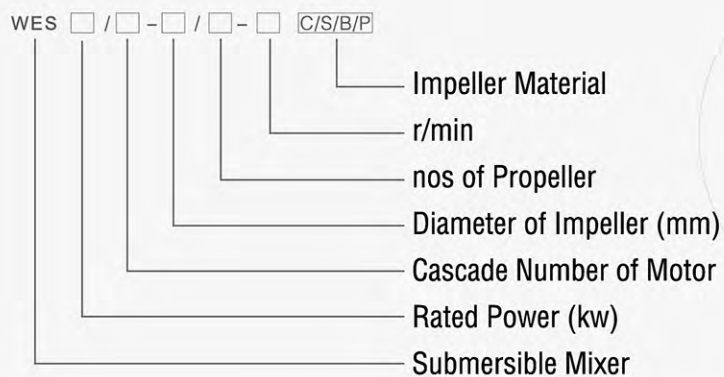
### CONDITION OF USAGE

- Medium temperature shall not over 40 deg'c
- PH value of the medium between 5-9
- Density shall not over 1150 kg/m3
- Must operate submersion into water completely
- The depth submersion operation shall not over 20m

### FEATURES

- Easy & convenient maintenance to prolong the life span.
- With stainless steel swept back design pressing impeler resulted in high efficiency and self-cleaning function.
- Complete with Class F , IP68 submersible motor to ensure more reliable service.
- International quality bearing , dual tungsten carbide sealing together with fully stainless steel body.
- Lowest energy consumption.

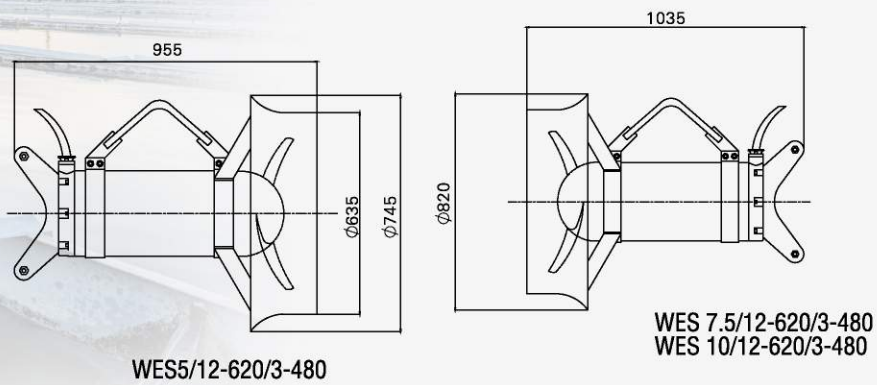
### MODEL CODE



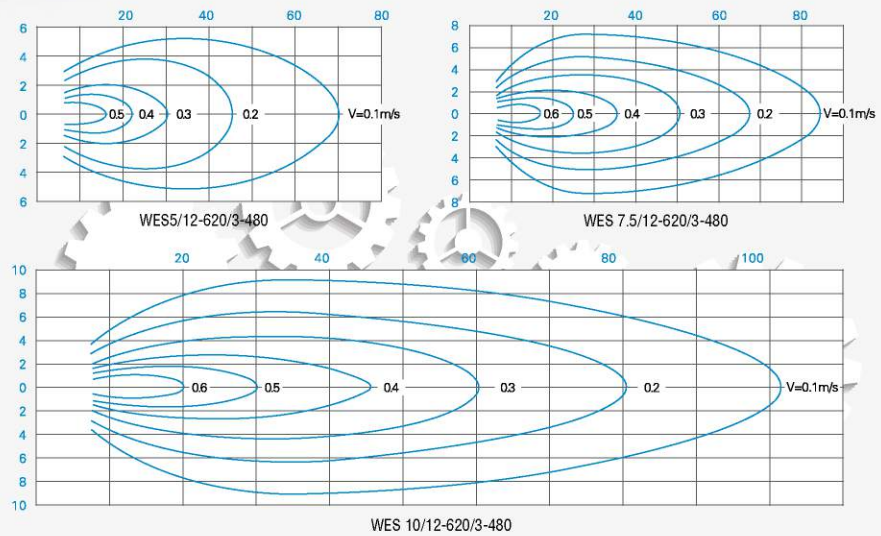
## SPECIFICATION

MODEL	Rated Power (kw)	Current Rating	Diameter of Impeller (mm)	Speed of Propeller (r/min)	Thrust (N)	Weight (KG)
WES 5/12-620/3-480C/S	5.0	18.2	620	480	1800	184
WES 7.5/12-620/3-480C/S	7.5	27.0	620	480	2600	229
WES 10/12-620/3-480C/S	10.0	32.0	620	480	3300	229

## DIMENSION



## PERFORMANCE CHART



## GALLERY





**RPS TRADERS SDN BHD** (947993-H)

No. 15 & 15A, Lorong Raja Nong 18A, Off Jalan Penghulu Abu Bakar,  
Taman Bunga Raya, 41000 Klang, Selangor D.E.

Tel : 03-3370 1416 Fax : 03-3370 1417

Email : [enquiry@rpstraders.com](mailto:enquiry@rpstraders.com)

Website: [www.rpstraders.com](http://www.rpstraders.com)